

Duct Smoke Sensor

An optical smoke sensor specifically designed for use in ventilation ducting. A venturi probe samples the air in the duct for smoke. Detector housing is mounted externally to the duct. This device can trigger the shut-down of an air-conditioning or ventilation plant to prevent the spread of smoke.

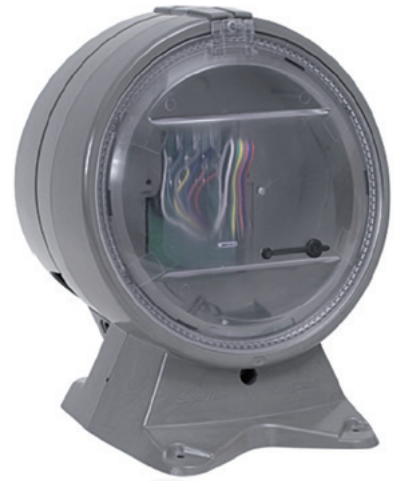
Unfortunately air ducts do not just guarantee fresh air but in the event of a fire they can also deliver toxic smoke from the fire source to distant area via the exhaust air system. Therefore air ducts must be monitored. The Honeywell Gent duct sensor housing offers effective protection, which is easy to install and maintain.

The Gent duct sensor housing is supplied complete with an S Quad Sensor base and is thus compatible with the full range of S-Quad detectors (S4-911 in high sensitivity state is recommended).

The housing is mounted on the outside of the air duct. A Venturi pipe (0.6m, 1.5m or 2.8m) is inserted into the duct and delivers air from the duct through detection chamber and back to the duct. An air flow indicator shows whether there is an airflow through the housing. A maintenance hole in the transparent cover allows test spray to be applied without opening the cover.

Using the Venturi effect means that a single sampling tube can be used and air velocities of as little as 1 Metre a second can be sensed.

A mounting bracket is also available to mount the detector on circular and insulated ducts. The housing can be mounted in any orientation. The arrow shape design can be mounted in any orientation. The arrow shape design of the tough grey abs housing shows the direction of flow, thus making installation quick and simple.



Description

An optical smoke sensor specifically designed for use in ventilation ducting.

KEY FEATURES

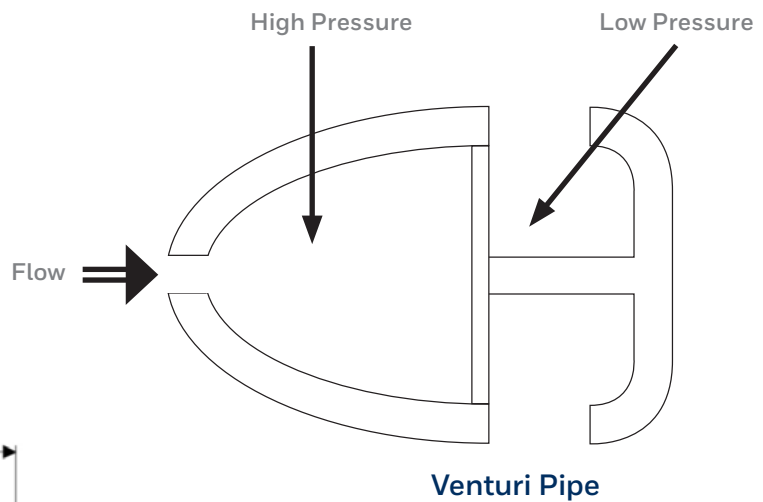
- Direction of flow indicated by housing
- Single sampling tube
- Compatible with S-Quad Sensors
- Sampling tubes available in three lengths
- Mounting bracket available
- Remote LED can be installed via S-Quad monitor output
- Air Duct uses Venturi process
- Fully integrated into Vigilon loop

Duct Smoke Sensor Technical Specifications

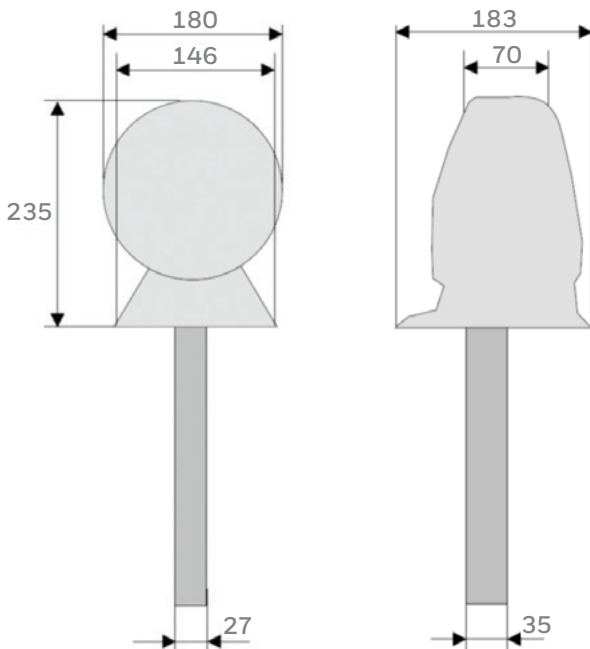
ORDER CODES		SPECIFICATION	
DUCT HOUSING	S4-34760	AIR VELOCITY	1 m/s to 20m/s
0.6M VENTURI TUBE	S4-34760-06	AMBIENT TEMPERATURE	-10°C to +60°C
1.5M VENTURI TUBE	S4-34760-15	STORAGE TEMPERATURE	-15°C to +65°C
2.8M VENTURI TUBE	S4-34760-28	PROTECTION CLASS	IP54
MOUNTING BRACKET	S4-34760-99	HOUSING	ABS Plastic
		WEIGHT	Approx 800g (without sensor)
		DIMENSIONS (WDXH)	180x235x183 (mm)

Sampling pipe / airduct

The sampling pipe is fitted into the airduct to sample the air. The shape of the pipe causes a pressure difference to be created, this is known as the Venturi effect. Using this principle a single sampling pipe can be used, thus saving time and money.



Dimensions (mm): Duct Sensor Housing



For more information
www.gent.co.uk

Honeywell Gent
 140 Waterside Road
 Hamilton Industrial Park,
 Leicester, LE5 1TN
 Telephone: 0203 409 1779
 E-mail: gentenquiry@honeywell.com

Content subject to change without notice.
 GEN142 | 09/2018
 © 2018 Honeywell International Inc.

