

We recommend that this product is installed by specialist installers only, thefirebeam company accepts no liability for damages caused by incorrect assembly, installation or improper use.

Ensure that the wall is sufficient to hold the weight of the firebeam or reflector. If there is any doubt regarding the condition or the load bearing of the wall please consult a specialist from the building trade. The wall fixings used must be suitable for the type of wall so that the maximum load bearing can be guaranteed, for this reason no fixing materials have been supplied.

**contents:**

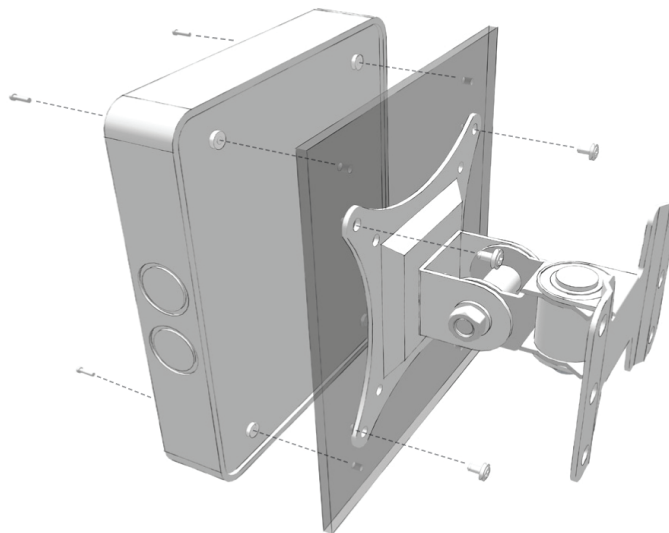
Firebeam bracket  
Perspex mounting plate  
M4 pan head screws (long) x 4  
M4 pan head screws (short) x 4  
Self tapping screws x 4  
13mm spanner  
Bracket instruction sheet

**Note:** cross-head screwdriver required.

**Firstly affix the bracket to the wall using suitable fixing methods for the type of wall. Secondly fix the mounting plate, then attach the beam head or reflector as detailed below.**

**mounting plate**

Use the 4 M4 pan head screws (short) in the pre-drilled holes to affix the perspex mounting plate to the bracket.

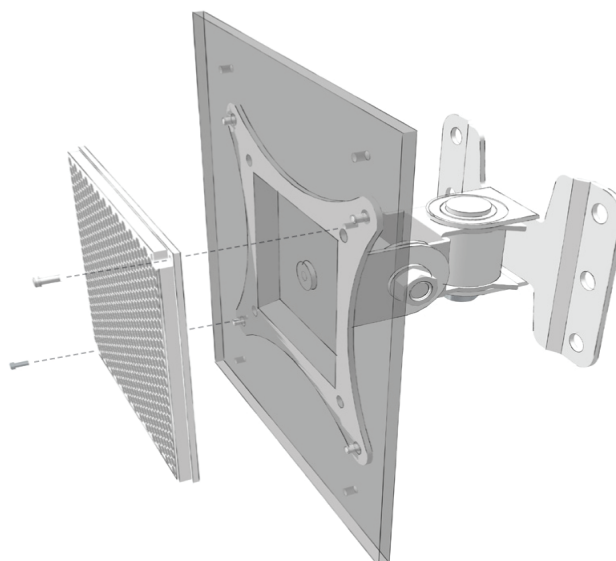


**beam head**

Use the 4 M4 pan head screws (long) in the pre-drilled holes to affix the firebeam base to the perspex mounting plate.

**single reflector**

Use 2 of the self tapping screws to affix the single reflector to the perspex mounting plate.



**positioning**

Once you have installed the bracket mounting plate and secured the firebeam, reflector or extension kit locate the optimum position and use the spanner provided to tighten the 2 adjusting bolts.

If you require any further assistance, technical support is available on [www.firebeamsupport.com](http://www.firebeamsupport.com)