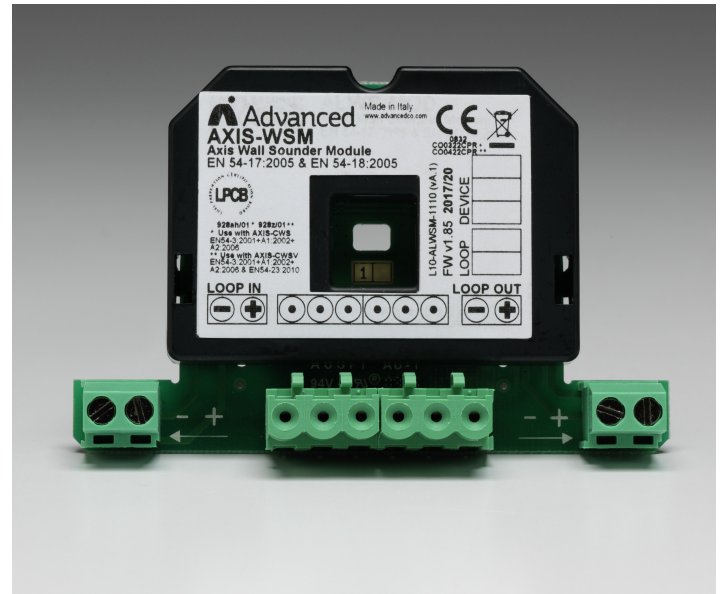


Intelligent Wall Sounder Interface Module

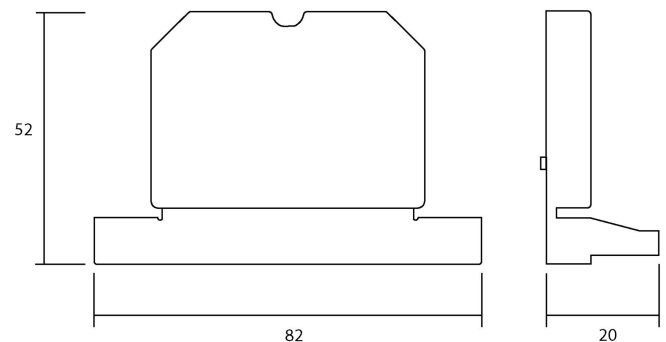
The Intelligent Sounder Interface Module is designed to allow the use of the Axis-CWS conventional sounder and Axis-CWSV conventional sounder beacon on an EvacGo intelligent loop.

The Axis-WSM module is compatible with intelligent control panels and systems using Axis EN protocol. Easy to install, it incorporates built-in short circuit loop isolation.

Once installed onto an EvacGo intelligent loop, the device is fully addressable and benefits from an extensive range of intelligent control and monitoring functionality.



Dimensions



Features

- Flexible modular design
- Easy to install
- Manual and auto addressing options
- Built-in short circuit isolators
- Up to 32 tones as standard
- Optional microphone self-test facility
- Addressing using the device programming tool or auto addressing capability via the fire control panel
- Fits EvacGo modular wall sounders and sounder beacons

Standards and Approvals

- EN54-17:2005 Short Circuit Isolators
- EN54-18:2005 Input / Output devices

Specifications

Power supply voltage range	15 Vdc - 40 Vdc
Maximum alarm current consumption	5-8 mA with sounder / 12-28 mA with beacon
Operating temperature range	-10°C to +55°C
Weight including back box	27 g
Max tolerated humidity	85% RH (non-condensing)
IP rating	IP20

Order Codes and Options

Axis-WSM	Addressable sounder interface module
Axis-CWS or Axis-CWS/W	Open area conventional wall sounder - Red or White
Axis-CWSV or Axis-CWSV/W	open area conventional wall sounder beacon - Red or White

[Check if this document is up to date](#) | [Give us feedback](#)

Advanced, The Bridges, Balliol Business Park, Newcastle upon Tyne, NE12 8EW, UK **T:** +44 (0)345 894 7000, **E:** enquiries@advancedco.com,
W: www.advancedco.com

As our policy is one of constant product improvement the right is therefore reserved to modify product specifications without prior notice.