

## Application Note

This application note is for detailing how to connect Sounder Splitters (IC3/SS) to Identi-Cryer message controllers (IMC/XX/XX/XX/MX).

## Application

The Identi-Cryer Control panel consists of 2 x 500mA sounder circuits which the Identi-Cryer Voice sounders are powered by. For systems which require more sounders VimpeX can offer Sounder splitters to split 1 sounder circuit into 4, all rated at 750 mA.

With the addition of a ZEP inside the IMC 2 x Sounder splitters gives the ability to have 8 sounder circuits, giving the ability of creating large systems.

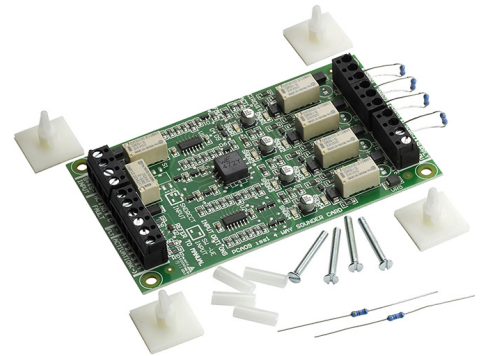
The Sounder splitters can also be powered from the internal PSU in the controller, reducing the systems footprint and also giving a reduction in installation and material costs.

## Wiring

VimpeX offer the Sounder Splitters and IMC pre wired giving a convenient and time saving solution, all the installer would need to do is connect the sounder circuits from the panel to splitters and wire in the Identi-Cryer Voice sounders.

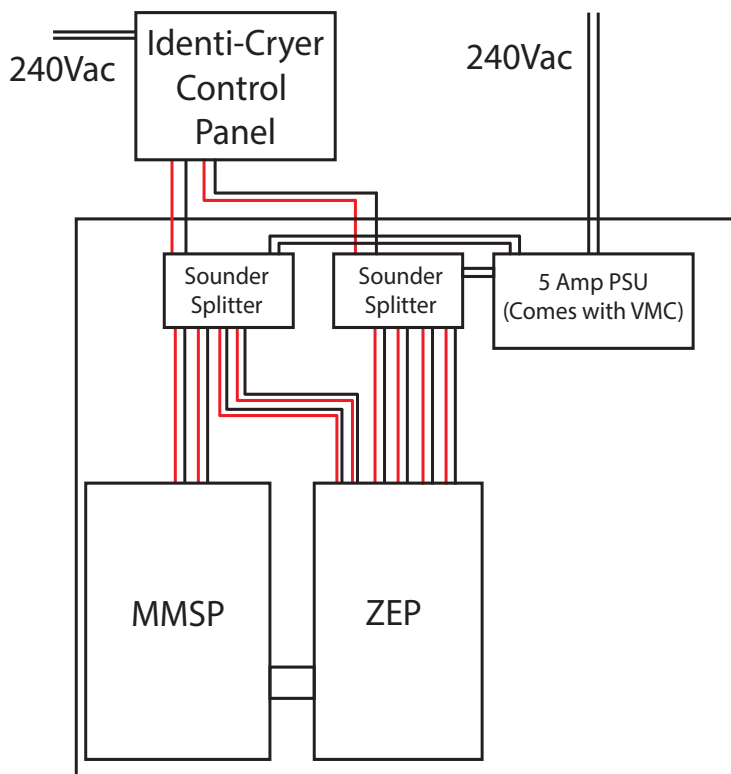
However the below schematic shows the wiring required to build the system with individual components. It is important to note that all Message controllers requiring sounder splitters must include a ZEP to increase the number of circuits from 2 to 8.

The sounder splitter has 4K7 end of line resistors (EOLs) which need to be terminated into both the last sounder on the circuit and into the AUX EOL located on the MMSP and ZEP boards.



## Products Required

- / Sounder Splitter (IC3/SS)
  - / Identi-Cryer Message Controller (IMC/XX/XX/XX/MX)
  - / Cables to connect Splitter to IMC (2 Core)
  - / 4K7 Conventional Resistors x 8
- Identi-Cryer Control Panel (IC3/230/X)



3800012\_REV0100

We reserve the right to change or amend any design or specification in line with our policy of continuing development and improvement.

VimpeX Ltd, Star Lane, Great Wakering, Essex, SS3 0PJ, UK  
 VimpeX Europe BV / VimpeX Sweden AB /

+44 (0) 1702 216 999 / sales@vimpeX.co.uk / vimpeX.co.uk

Registered in England No.2915112 Registered Address: Star Lane, Great Wakering, Essex, SS30PJ, United Kingdom



Fire Industry Association

