

FOAM-BASED PORTABLE EXTINGUISHERS (SPRAY MODEL)

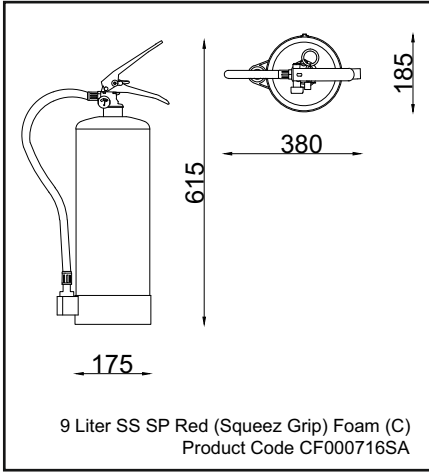
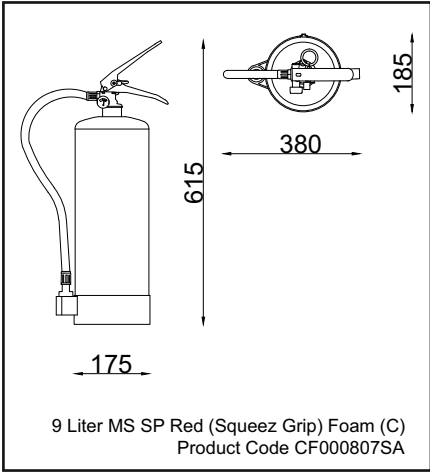
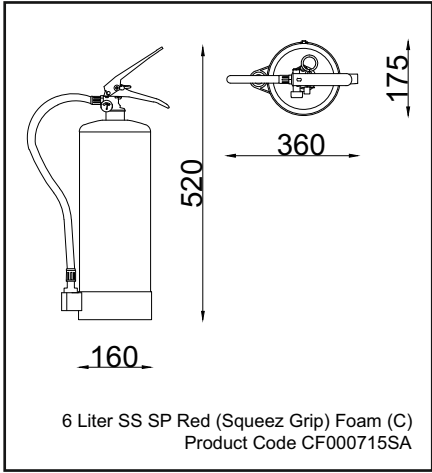
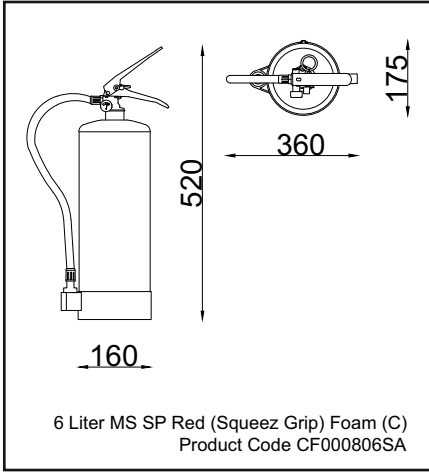
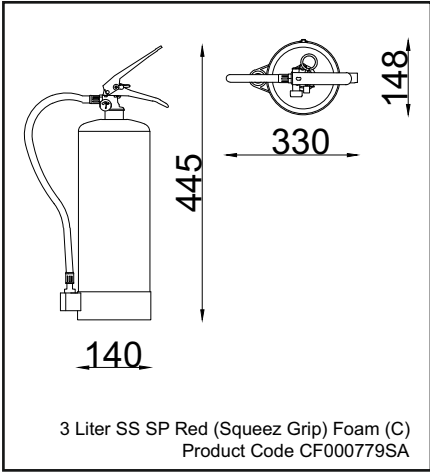
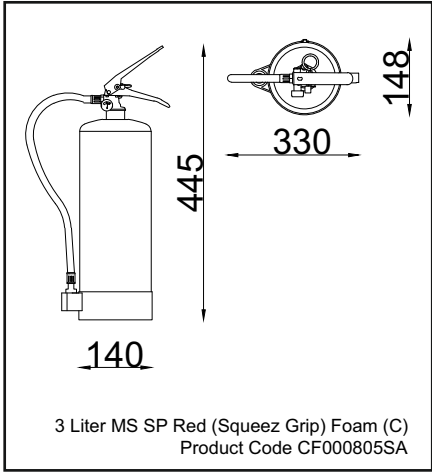
PRODUCT OVERVIEW

The quickest way to kill a fire is to not let it feed off the oxygen in the vicinity. The Foam Extinguishers work on the simple principle of cutting off the supply of oxygen required to sustain a fire. The foam smothers the flames and forms a compact blanket over the fire, preventing it from spreading or re-igniting.

Ceasefire's Foam Spray model extinguishers form a foam blanket, cutting down on the oxygen supply. It works on Class A, B, F, and Electrically started fires. The squeeze grip mechanism makes them faster and easier to use.



ENGINEERING DRAWINGS



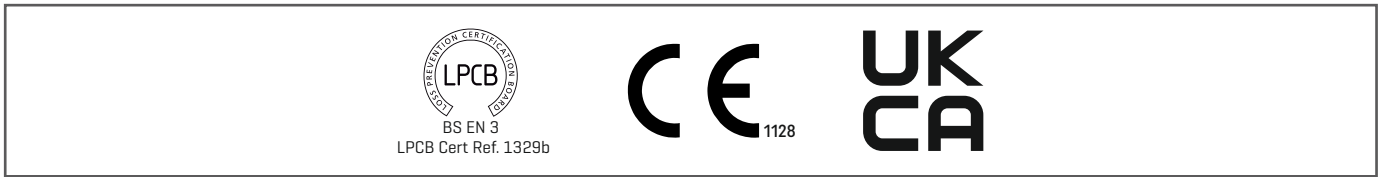


Product Code	UOM	CF-000779SA	CF-000805SA	CF-000715SA	CF-000806SA	CF-000716SA	CF-000807SA
Type of Dis. Fitting & Length	MM	EPDM Rubber Braided Hose Pipe with nozzle Length of Hose 300mm (Min.)	EPDM Rubber Braided Hose Pipe with nozzle Length of Hose 300mm (Min.)	EPDM Rubber Braided Hose Pipe with nozzle Length of Hose 500mm (Min.)	EPDM Rubber Braided Hose Pipe with nozzle Length of Hose 500mm (Min.)	EPDM Rubber Braided Hose Pipe with nozzle Length of Hose 500mm (Min.)	EPDM Rubber Braided Hose Pipe with nozzle Length of Hose 500mm (Min.)
Throw	METER	5	5	5	5	6	6
Min. Discharge Time	SEC.	9	9	15	15	15	15
Fire Rating	—	8A 89B	8A 89B	13A 144B	13A 144B	21A 233B	21A 233B
Operating Temperature Range	°C	From +5°C to +60°C	From +5°C to +60°C	From +5°C to +60°C	From +5°C to +60°C	From +5°C to +60°C	From +5°C to +60°C
Applicable to Type of Fire	—	A, B	A, B	A, B	A, B	A, B	A, B
Filled Weight Range*	KG	Approx. 5.70	Approx. 5.75	9.40 to 9.73	9.40 to 9.73	13.05 to 13.95	14.70 to 15.15
Packed Weight Range (approx)**	KG	Approx. 7	Approx. 6	Approx. 10.2	Approx. 10.1	Approx. 14	Approx. 15.3 kg
Packed Size Length x Width x Height	MM	160 x 160 x 470	160 x 160 x 470	230 x 220 x 670	230 x 220 x 670	190 x 195 x 650	190 x 195 x 650
Product Warranty	YEAR	5	5	5	5	5	5

**It includes Empty Extinguisher, Contents, Plastic Base, Hose / Horn and bracket.

***It includes Empty Extinguisher, Contents, Packaging, Plastic Base, Hose / Horn and bracket.

CERTIFICATIONS



PRODUCT PICTURES



3 L

6 L

9 L

*v2' Published Date is 14-07-2023.

**Regular R&D and product improvisations may lead to change in product specifications in this data sheet, without any prior notice.