

Assist Call Master Station

ViLX-ACM3



All LexiComm Emergency Voice Communications Systems (EVCS) are designed to comply fully with the requirements of BS5839-9: 2021 for use as a fire telephone system (FT), disabled refuge system (DRS) or as a combined system when both fire telephones and disabled refuge call points are required.

- Accepts Assist Calls on a shared network
- 4.3" full colour touch-screen
- Fully compliant to BS5839-9: 2021
- Integrated Assist Call with acknowledge meeting BS8300
- 1.5A EN54-4:A2 PSU
- Wall mount enclosure
- Expandable from 2 to 512 lines
- Inbuilt networking

Overview

The LexiComm ViLX-ACM3 Master station can accept and display Emergency Assist Alarm calls on combined networks. The unit can additionally accept up to eight lines of outstation, (Type A fixed phones, Type B refuge hands free points, emergency assist alarm point or jack points in Far East and Middle East applications) as required.

The touch-screen layout has four buttons allowing quick access to the main functions, and permanently displaying the number of current calls, alarms and faults.

Emergency Assist Alarm calls can be acknowledged by pressing the icon on screen (as required by BS8300) and will return to alarm if not reset within two minutes.

The ViLX-ACM3 has inbuilt networking allowing it to form one of the 64 panels on a LexiComm network installation allowing a total of 512 outstations to be accommodated. Each panel can be a master station or ViLX-EX8 network expander.

The LexiComm ViLX-ACM3 is a self contained enclosure housing a 4.3" touch screen, one to four dual line cards, an EN54-4:A2 2006 power supply & battery charger and can be surface or flush mounted (Using the ViLX-SBZ Bezel).

The case is made from powder coated zintec, 20mm cable knock-outs are provided for all necessary cables as well as space for the single 12V VRSLA backup battery required.

The master station is configured using a spreadsheet (excel and open office) and installed using the MMC card, this also holds the site logs.

The whole site can be configured from any master station.

Each outstation has three labels, one for Emergency Assist, one for EVCS and one for Fault text, each label is two lines of twenty characters.

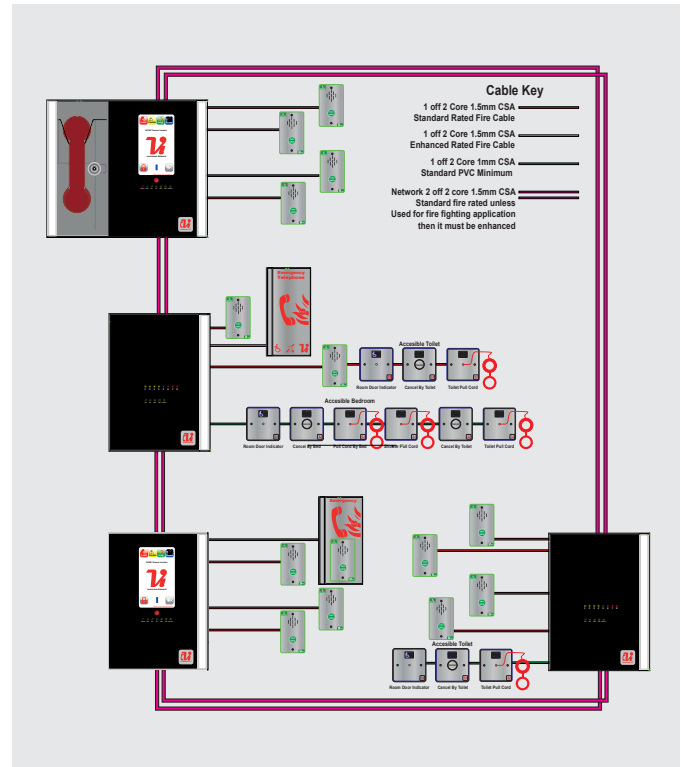
Each Master station can be programmed to answer specific outstations, and these can differ from day to night.

Assist Call Master Station

ViLX-ACM3

Technical Specification

Details		ViLX-ACM3	
Power Supply and Charger			
AC input	230VAC +/- 10% 50/60Hz		
Internal supply	5V, 16V, 27V DC		
Supply	Monitored Open, Short, Fuses, High Impedance		
Protection	Deep discharge, Short, Thermal		
Battery type	1 x 12V 7AH VRSLA		
Mains fuse	240V 1A HRC		
Battery fuse	750mA PTC		
Charge current	400mA		
Inputs			
Lines	2-8 in 2 line blocks		
Remote enable	Short to use		
End of line	10kΩ		
Outputs			
Number	2, Fault & In use		
Type	Volt free relay		
Contact	30V DC 1A		
Controls			
Buttons	3 Navigation keys		
Touch-screen	4.3" 272 x 480 x RGB		
State LED	1, RGB indicator		
Fault LEDs	3, PSU, System, General		
Supply LEDs	2, AC, DC present		
Network Cables			
Type	Cores	Distance	
Enhanced*	2x2 core 1mm or 1.5mm	500m	
Standards Compliance			
EMC	EN55103-1, EN55103-2		
LVD	EN60065		
Product Family	BS5839-pt9, BS9999, BS8300		
Dimensions			
	Panel	Bezel	Cut-out
Height	300mm	350mm	305mm
Width	220mm	270mm	225mm
Depth	95mm	1mm	85mm
Weight	6.5kg		
Part Numbers			
Assist Call Master Station	ViLX-ACM3		



*Refer to BS5839-9: 2021 for exceptions