

DHI-HY-WL13A-R8

Wireless Water Leak Detector



- Real-time Alerts
- IP65 waterproof
- Two installation options
- Water leakage & floods detection

System Overview

The Wireless Water Leakage Detector is specifically designed to alert the presence of water or potential flooding, helping to prevent damage caused by leaks. It is suitable for indoor water sources such as dishwashers, water heaters, and washing machines.

It can pair with Wireless Gateway and work in conjunction with the Wisualarm App. When the alarm triggered, the detector will sound an alarm and notifications will be sent to your smart phone.

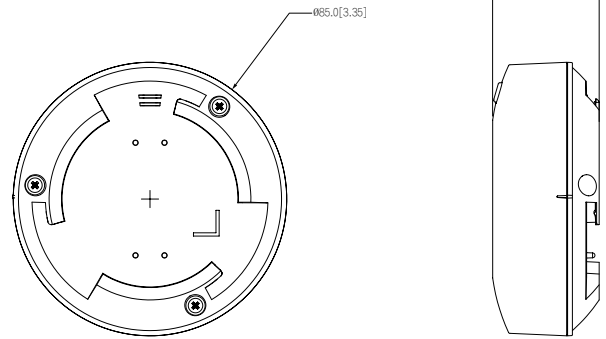
Technical Specification

Collection Type	Water leak
Power Source	DC 3V
Alarm Mode	Visual and audible alarm
RF Frequency	868MHz
RF Range	Up to 1000 m (3280.84 ft) in free air
Interconnection Type	Via Wireless Gateway
Battery	Replaceable 2 × 1.5V AAA batteries
Battery Life	3 years
Sensor Type	Sensor Probe
Operating Temperature	-10°C to +55°C (+14°F to +131°F)
Operating Humidity	≤95% RH (non condensing)
Waterproof Rating	IP 65
Dimensions (without base)	Φ85 mm × H33 mm (3.35" × 1.3")
Cable Length	1200 mm (47.24")
Weight (without base)	86 g (0.19 lb)
Installation	Wall mount/free standing

Ordering Information

Type	Model	Description
Wireless Water Leak Detector	DHI-HY-WL13A-R8	Wireless Water Leak Detector

Dimensions (mm/inch)



Installation

