

Remote Visual Indicator Device

ViLX-VID



All Lexicomm Emergency Voice Communications Systems (EVCS) are designed to comply fully with the requirements of BS 5839-9:2021 for use as a fire telephone system (FT), disabled refuge system (DRS) or as a combined system when both fire telephones and disabled refuge call points are required.

- For use in noisy environments
- Monitored and line powered
- Low current
- Compatible with Lexicomm Type A Outstations
- Fits on a single gang box
- High-intensity green LED

Overview

The ViLX-VID remote visual indicator device is compatible with Lexicomm Type A outstations. In areas of high ambient noise it provides a high intensity flashing indicator which activates when the phone rings.

The device can also be used in stadium applications where Type A outstations are used as stewards phones, the indicator can be wall or ceiling mounted to alert staff of phone activation.

Ease of wiring

The ViLX-VID is wired before the Type A outstation, it is fully line powered meaning no further cabling or additional power supplies are required. LexicommPro systems have already been installed in several football stadiums

Fully Fault Monitored

The VID, and the outstation connected on the line, are fully monitored for open and short circuit faults. This gives confidence in the system both during and after installation.

Mounting Instructions

The ViLX-VID is not supplied with a back box as it can be used with any "MK" style double back-box over 25mm deep.

To accept cable glands the back box needs to be 35mm deep including metal clad surface types and plastic plasterboard dry liner boxes.

The ViLX-VID must be mounted before the outstation so that the circuit is monitored. Can only be used with Type A outstations that do not have their own integral VIDs.

Remote Visual Indicator Device

ViLX-VID

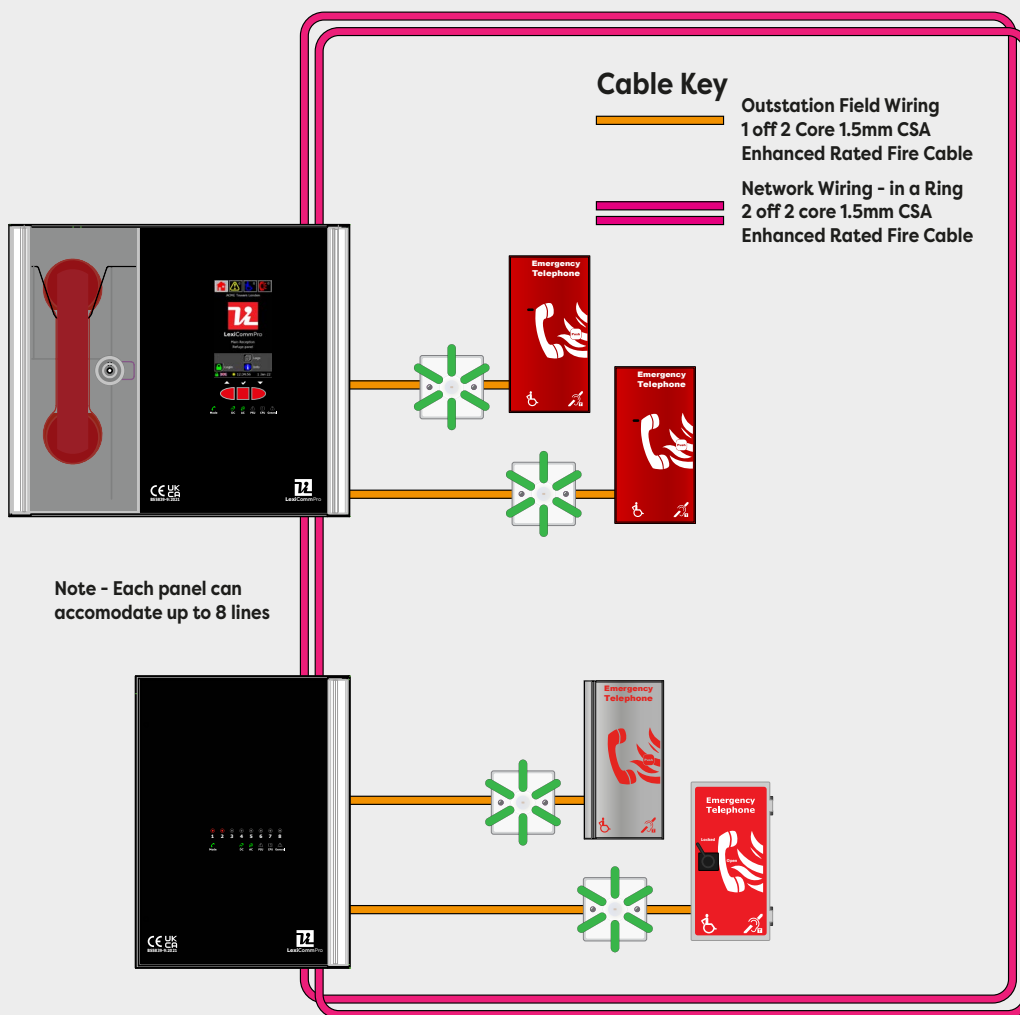
Technical Specification

Details	ViLX-VID
Physical	
Height	86mm
Width	86mm
Depth	22mm
Weight	270g
Material	White Polycarbonate
Part Numbers	
Outstation	ViLX-VID

Details	ViLX-VID
Recommended Cables	
Type	Enhanced Fire resistant
Cores	1x 2 core radial 1mm or 1.5mm
Distance	500m from a compatible panel, the VID must be wired before the outstation
Standards Compliance	
EMC	EN 55035:2017+A1:2020 EN 55032:2015+A1:2020
Product Family	BS 5839-9:2021, BS 9999:2017

*Refer to BS 5839-9:2021 for exceptions

Schematic



Document reference number: DVILXVID0001-02



Vox Ignis
Unit 87, Alexandra Avenue, Sunderland Enterprise Park,
Sunderland, SR5 2TB, United Kingdom

+44 (191) 516 6030
info@vox-ignis.com
vox-ignis.com

Company Reg No: 8892407



All information is believed to be correct at time of printing E&OE. Vox Ignis operate a policy of continuous improvement; always confirm specification details before purchase.