

PRODUCT FEATURES:

- Heavy duty plastic coated galvanised steel
- Doesn't interfere with detector performance
- Quick 4 point installation
- Fixing kit included



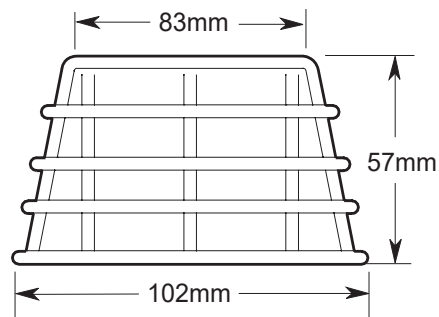
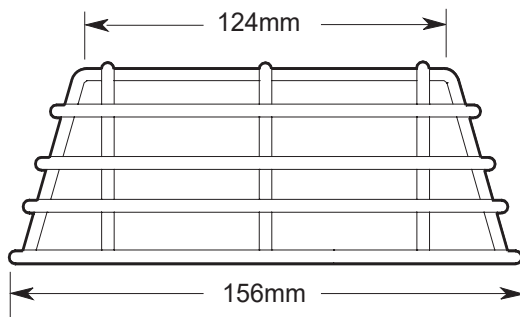
DESCRIPTION:

These super tough cages are extremely effective in reducing malfunctions and high maintenance costs where vandalism or accidental damage is prevalent. They are constructed of heavy duty steel wire with corrosion resistant polyester coating. Suitable for both wall and ceiling mounting applications.

PRODUCT CODES:

HSSA/VAPE-CAGE = Smart Vape Detector Anti Vandal Cage

LINE DRAWINGS:



**All information is subject to change and should be verified before any critical action.*

