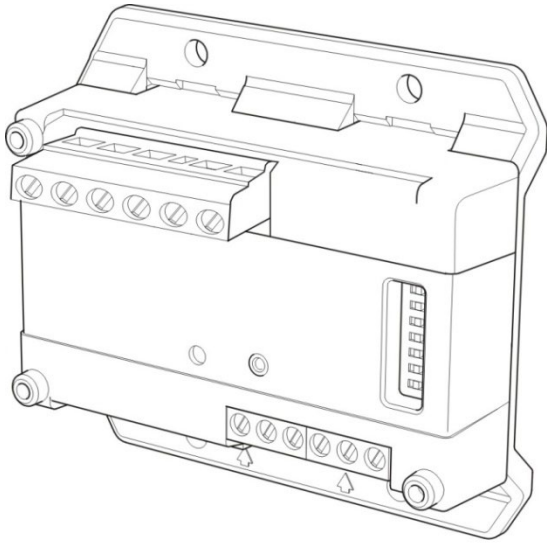


A51E-1 High Voltage Relay Module Installation Sheet



Description

The A51E-1 High Voltage Relay Module, is an addressable device used to provide two Form C change-over dry relay contacts to control external appliances (door closers, fans, dampers, etc.) or equipment shutdown.

The system firmware ensures that the relay is in the proper ON/OFF state. Upon command from the control panel, the relay energizes. Terminals 1 and 2 and 5 and 6 provide normally closed relay connections; Terminals 2 and 3 and 4 and 5 provide normally open relay connections. One device address is required.

Up to 127 devices can be assigned to the loop. All devices incorporate a binary DIP switch enabling them to be given a unique address.

A red LED indicator illuminates when the unit has activated.

The A51E-1 must be mounted in an enclosure where casual entry and flooding is not possible. All cable entries to the enclosure must be glanded or water trapped to prevent the possibility of fluid entry.

Installation

The A51E-1 is shipped from the factory as an assembled unit. It contains no user-serviceable parts and should NOT be disassembled.

Notes

- This module complies with the requirements of EN 54-18 and EN 62368 standards. If the module is used in conditions or circumstances that do not comply with those tested for and allowed in EN 54-18 and EN 62368, operation may be impaired, and the supplier will not be liable for any injury suffered or damage caused as a result.

You must contact our technical support department for advice if the device is to be used in conditions that differ from those prescribed in the EN 54-18 and EN 62368 standards.

- This module will NOT operate without electrical power. As fires frequently cause power interruption, we suggest you discuss further safeguards with your local fire protection specialist.
- Dangerous voltages may be present at terminals even when power is shut off.

WARNING: Electrocution hazard. Dangerous voltages may be present at terminals even when the power is shut off. Take proper safety precautions to avoid injury or death.

To install the module:

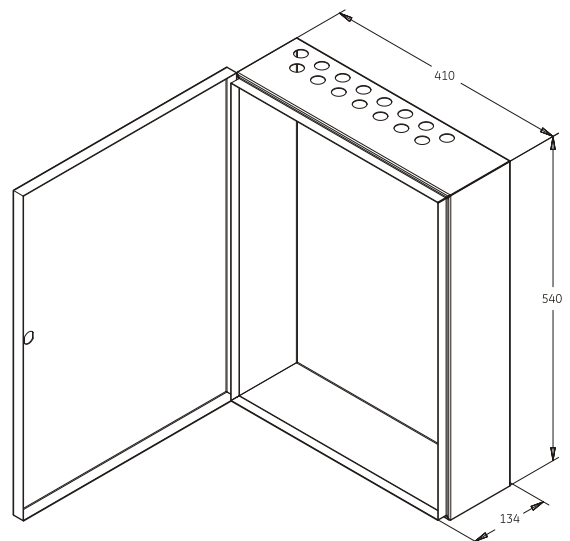
- Verify that all field wiring is free of opens, shorts, and ground faults.
- Make all wiring connections as shown in Figure 2.

Mounting

The module must be mounted inside protective housing – we recommend the ZP3-AB1 Accessory Box (PN 70002) and standard DIN rail. An alternative metal enclosure may be used providing it meets the “Specifications” indicated on page 2.

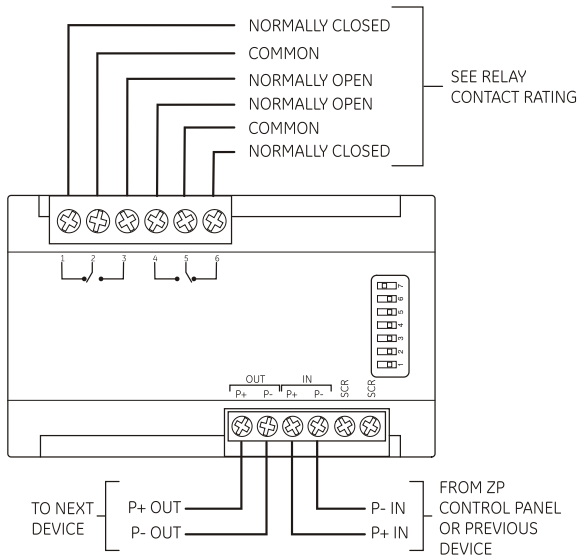
Mount the protective housing onto the wall using a suitable mounting system for the wall characteristics (as a minimum use \varnothing 4 mm screws).

Figure 1: ZP3 Accessory Box



Wiring

Figure 2: Wiring for the A51E-1



Specifications


Loop voltage	
Operation	20 V pulsed (analogue loop)
Max. line drop	2 VDC
Standby current	600 µA
Alarm current	1 mA
Wiring	0.3-1.5 mm ² (22-14 AWG)
High voltage (relay contacts)	
Max. rating	1 A, 60 VDC 5 A, 250 VAC
Wiring	0.75-2.5 mm ² (18-12 AWG)
Power factor	1 PF (resistive load)
Indication	Red LED flashes on activation
Environmental	
Operating temperature	-10 to +55°C
Storage temperature	-10 to +55°C
Relative humidity	20 to 95% up to 40°C (noncondensing)
Protective housing [1]	
IP rating	Min. IP30 (indoor use only)
Weight	Min. 4.8 kg

[1] Not supplied. Weight indicated does not include the A51E-1 module.

Regulatory information

This section provides a summary on the declared performance according to the Construction Products Regulation (EU) 305/2011 and Delegated Regulations (EU) 157/2014 and (EU) 574/2014.

For detailed information, see the product Declaration of Performance (available at firesecurityproducts.com).

Certification	
Certification body	0370
Declaration of Performance number	10-5211-360-0199 [1]
Year of first CE marking	10
Product Identification	A51E-1
Intended use	See the product Declaration of Performance
Declared performance	See the product Declaration of Performance
Manufacturer	KGS Safety System (Hebei) Co. Ltd., 80 Changjiang East Road, QETDZ, Qinhuangdao 066004, Hebei, China. Authorized EU manufacturing representative: KGS Fire & Security B.V., Kelvinstraat 7, 6003 DH Weert, Netherlands.



2012/19/EU (WEEE Directive): Products marked with this symbol cannot be disposed of as unsorted municipal waste in the European Union. For proper recycling, return this product to your local supplier upon the purchase of equivalent new equipment, or dispose of it at designated collection points. For more information see: recyclethis.info.

[1] Certified mounted inside the ZP3-AB1 Accessory Box

Contact information and product documentation

For contact information or to download the latest product documentation, visit firesecurityproducts.com.

Product warnings and disclaimers

These products are intended for sale to and installation by qualified professionals. KGS Fire & Security cannot provide any assurance that any person or entity buying its products, including any “authorized dealer” or “authorized reseller”, is properly trained or experienced to correctly install fire and security related products.

For more information on warranty disclaimers and product safety information, please check <https://firesecurityproducts.com/policy/product-warning/> or scan the QR code:

